




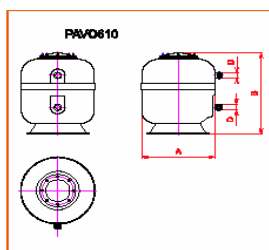


LAMINATED FILTERS

PAVO

Filter from polyester resin with glass fibre, complete with internal tubing, inspection windows, drain valve with a reduction to a hose, pressure gauge with de-aeration, 6-way valve, max. operation pressure 2,5 bar ,max. operation temperature 40°C.

						Rabat Group
	130001	Ø 450	Capacity: 7,5 m3/h Weight: 18 kg		Filter charge: 70 kg	F
			Dimensiones: A B mm 450 690	C D 1 ½"		
	130008	Ø 520	Capacity: 10 m3/h Weight: 23 kg		Filter charge: 100 kg	F
			Dimensiones: A B mm 520 730	C D 1 ½"		
	130002	Ø 610	Capacity: 14 m3/h Weight: 29 kg		Filter charge: 125 kg	F
			Dimensiones: A B mm 610 760	C D 1 ½"		
	130003	Ø 765	Capacity: 23 m3/h Weight: 45 kg		Filter charge: 225 kg	F
			Dimensiones: A B mm 765 830	C D 2"		
	130004	Ø 910	Capacity: 33 m3/h Weight: 55 kg		Filter charge: 325 kg	F
			Dimensiones: A B mm 910 890	C D 2"		



LAMINATED FILTERS

CORVUS

Filter from polyester resin with glass fibre, complete with internal tubing, inspection windows, drain valve with a reduction to a hose, air drain cock, 6-way valve, max. operation pressure 2,5 bar ,max. operation temperature 40°C.

Transparent lid.

**Rabat
Group**



130015	CORVUS Ø 520	Capacity: 10 m3/h	
	Weight: 18 kg	Filter charge: 100 kg	
	Dimensiones: A	B	C D
	mm	520	740 1 ½"

F



130016	CORVUS Ø 640	Capacity: 15 m3/h	
	Weight: 23 kg	Filter charge: 125 kg	
	Dimensiones: A	B	C D
	mm	640	810 1 ½"

F



130017	CORVUS Ø 720	Capacity: 20 m3/h	
	Weight: 30 kg	Filter charge: 175 kg	
	Dimensiones: A	B	C D
	mm	720	910 2"

F

130018	CORVUS Ø 840	Capacity: 28 m3/h	
	Weight: 38 kg	Filter charge: 225 kg	
	Dimensiones: A	B	C D
	mm	840	970 2"

F

LAMINATED FILTERS

CYGNUS

Filter from polyester resin with glass fibre, complete with internal tubing, inspection windows, drain valve with a reduction to a hose, air drain cock, 6-way valve, max. operation pressure 2,5 bar ,max. operation temperature 40°C.

**Rabat
Group**
F



130019	CYGNUS	Ø 520	Capacity: 10 m3/h
	Weight: 18 kg		Filter charge: 100 kg
	Dimensiones:	A	B
		C	D
	mm	520	830
			1 ½"

130020	CYGNUS	Ø 640	Capacity: 15 m3/h
	Weight: 23 kg		Filter charge: 125 kg
	Dimensiones:	A	B
		C	D
	mm	640	900
			1 ½"

F



130021	CYGNUS	Ø 760	Capacity: 22 m3/h
	Weight: 34 kg		Filter charge: 225 kg
	Dimensiones:	A	B
		C	D
	mm	760	1050
			2"

F

LAMINATED FILTERS

COLUMBA

Filter from polyester resin with glass fibre, complete with internal tubing, inspection windows, drain valve with a reduction to a hose, air drain cock, 6-way valve, max. operation pressure 2,5 bar ,max. operation temperature 40°C.



130022	COLUMBA	Ø 520	Capacity: 10 m3/h
	Weight: 16 kg		Filter charge: 75 kg
	Dimensiones:	A	B
	mm	520	720
			C
			D
			1 ½"

130023	COLUMBA	Ø 640	Capacity: 15 m3/h
	Weight: 21 kg		Filter charge: 100 kg
	Dimensiones:	A	B
	mm	640	820
			C
			D
			1 ½"



130024	COLUMBA	Ø 760	Capacity: 22 m3/h
	Weight: 32 kg		Filter charge: 175 kg
	Dimensiones:	A	B
	mm	760	920
			C
			D
			2"

Rabat
Group
F

F

F

LAMINATED FILTERS

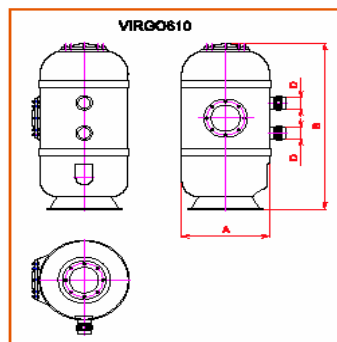
VIRGO

Multi-bed filter VIRGO series

Polyester filter reinforced with glass fibre, complete with a jet distributor, internal tubing, 2 inspection windows, drain valve with a reduction to a hose, pressure gauge with de-aeration, 6-way valve, max. operation pressure 2,5 bar ,max. operation temperature 40°C.



						Rabat Group
130005	Ø 610	Capacity: 14 m3/h Weight: 45 kg			Filter charge: 375 kg	D
	Dimensiones:	A	B	C	D	
	mm	610	1300		1 ½"	
130006	Ø 765	Capacity: 23 m3/h Weight: 60 kg			Filter charge: 500 kg	D
	Dimensiones:	A	B	C	D	
	mm	765	1350		2"	
130007	Ø 910	Capacity: 33 m3/h Weight: 75 kg			Filter charge: 850 kg	D
	Dimensiones:	A	B	C	D	
	mm	910	1690		2"	



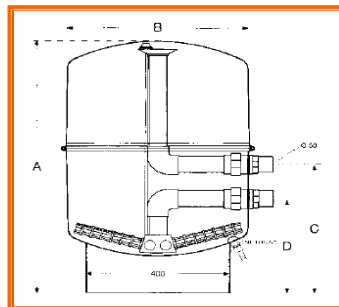
DIVIDED FILTER

GEMINI

Filtration container made of polypropylene reinforced with glass fibre, two-part container with a stainless-steel fixing clamp enabling easy access to the filter, 6-way valve, pressure gauge with air exhaust, outlet valve with a connection to a Ø 12 mm hose, max. operation pressure 2 bar, max. operation temperature 40°C.



						Rabat Group
130101	Ø 400	Capacity: 6 m ³ /h Weight: 7,5 kg			Filter charge: 50 kg	F
	Dimensiones:	A	B	C	D	
	mm	725	400	430	310	
130102	Ø 500	Capacity: 10 m ³ /h Weight: 14 kg			Filter charge: 80 kg	F
	Dimensiones:	A	B	C	D	
	mm	795	500	390	270	
130103	Ø 600	Capacity: 15 m ³ /h Weight: 18 kg			Filter charge: 120 kg	F
	Dimensiones:	A	B	C	D	
	mm	825	600	405	285	



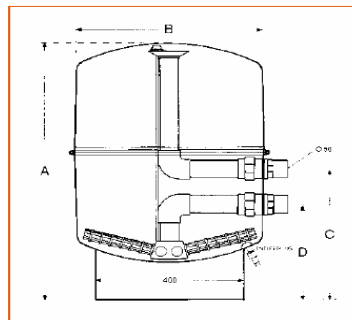
STAINLESS STEEL DIVIDED FILTER

LYRA

Filtration container made of polished stainless steel, material: V2A, container with a stainless steel fixing clamp enabling easy access to the filter, 6-way valve, pressure gauge with air exhaust, outlet valve with a connection to a 12 mm hose, max. operation pressure 2 bar, max. operation temperature 40°C.



						Rabat Group
130104	Ø 400	Capacity: 6 m ³ /h Weight: 7,5 kg			Filter charge: 50 kg	F
	Dimensiones:	A	B	C	D	
	mm	725	400	430	310	
130105	Ø 500	Capacity: 10 m ³ /h Weight: 14 kg			Filter charge: 80 kg	F
	Dimensiones:	A	B	C	D	
	mm	795	500	390	270	
130106	Ø 600	Capacity: 15 m ³ /h Weight: 18 kg			Filter charge: 120 kg	F
	Dimensiones:	A	B	C	D	
	mm	825	600	405	285	



BLOWED FILTERS

QUICK

Filter from polypropylen, complete with internal tubing, inspection windows, drain valve with a reduction to a hose, pressure gauge with de-aeration, 6-way valve.
Operation pressure: 2,5 bar.



131111 **QUICK Ø 380**
Capacity: 6 m³/h Sand: 42 kg

**Rabat
Group**
F

ECO



160101 **ECO Ø 300**
Capacity: 4 m³/h Sand: 25 kg

**Rabat
Group**
F

BLOWED FILTERS

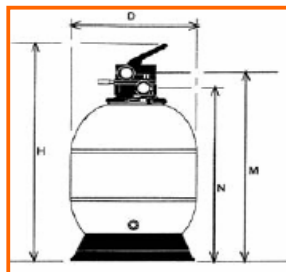
LEPUS

This filter is manufacture in polyetilene high density. Lid closing system with plastic clamp. Fitted with collector arms and diffuser made from unplasticised. Fitted with pressure gauge, manual air vent cock and manual water drain cock. Selector valve with six positions: filter, wash, rinse, recirculate, empty and close. Working pressure: 2 kg/cm²
Testing pressure: 3 kg/cm²

Sand filter with TOP-mounted valve



							Rabat Group
160001	LEPUS	Ø 400	Flow: 6 m ³ /h Connection: 1 ½"			Sand: 60 kg Weight: 12 kg	F
	Dimensiones:	H	M	N			
	mm	895	760	677		Packing: 0,16 m ³	
160002	LEPUS	Ø 500	Flow: 9 m ³ /h Connection: 1 ½"			Sand: 90 kg Weight: 14 kg	F
	Dimensiones:	H	M	N			
	mm	960	826	743		Packing: 0,27 m ³	
160003	LEPUS	Ø 600	Flow: 14 m ³ /h Connection: 1 ½"			Sand: 120 kg Weight: 17 kg	F
	Dimensiones:	H	M	N			
	mm	1038	903	820		Packing: 0,42 m ³	
160004	LEPUS	Ø 750	Flow: 21 m ³ /h Connection: 2"			Sand: 230 kg Weight: 26 kg	F
	Dimensiones:	H	M	N			
	mm	1150	1076	1030		Packing: 0,50 m ³	



BLOWED FILTERS

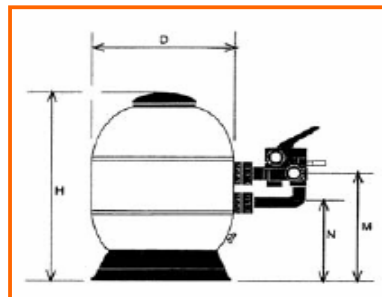
LEPUS

This filter is manufacture in polyetilene high density. Lid closing system with plastic clamp. Fitted with collector arms and diffuser made from unplasticised. Fitted with pressure gauge, manual air vent cock and manual water drain cock. Selector valve with six positions: filter, wash, rinse, recirculate, empty and close. Working pressure: 2 kg/cm²
Testing pressure: 3 kg/cm²

Sand filter with side-mounted valve



							Rabat Group
160005	LEPUS	Ø 400	Flow: 6 m ³ /h Connection: 1 ½"			Sand: 60 kg Weight: 10 kg	F
	Dimensiones:	H	M	N			
	mm	706	393	268		Packing: 0,13 m ³	
160006	LEPUS	Ø 500	Flow: 9 m ³ /h Connection: 1 ½"			Sand: 90 kg Weight: 12 kg	F
	Dimensiones:	H	M	N			
	mm	770	435	310		Packing: 0,22 m ³	
160007	LEPUS	Ø 600	Flow: 14 m ³ /h Connection: 1 ½"			Sand: 120 kg Weight: 15 kg	F
	Dimensiones:	H	M	N			
	mm	850	468	343		Packing: 0,36 m ³	
160008	LEPUS	Ø 750	Flow: 21 m ³ /h Connection: 2"			Sand: 230 kg Weight: 26 kg	F
	Dimensiones:	H	M	N			
	mm	1000	610	380		Packing: 0,50 m ³	



ACCESSORIES TO LAMINATED FILTERS

AIR RELIEF VALVE

180005 Air relief valve with connection for manometer

Rabat
Group
A

MANOMETER

180006 bar
0 - 4

Rabat
Group
A

6-WAY VALVE

ABS (Cycolac) with threaded connection



180007 1 1/2"
180008 2"



Rabat
Group

A
A